



© 2000 Wawirka Inc. All designs and images

## WAVE VESSEL

Shown in cast silicon bronze  
with patina finish 1-CFS.

# Wave Vessel

## SPECIFICATIONS

### WAVE VESSEL

**Model:** WAV (+ finish)

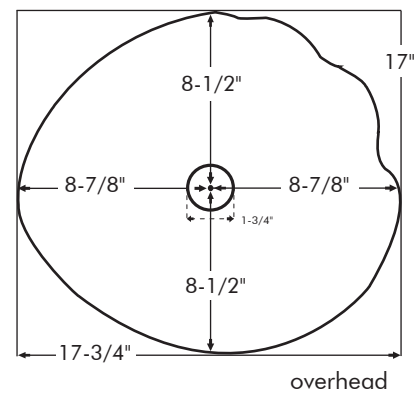
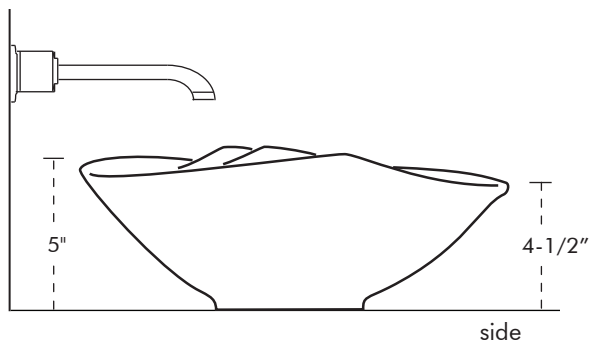
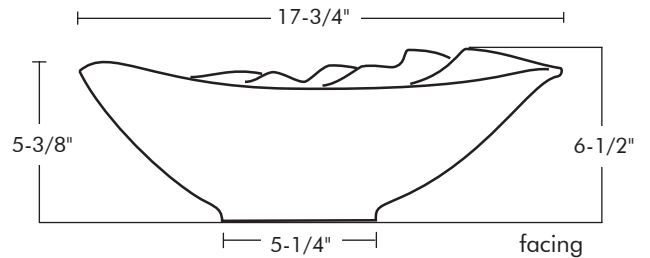
**Category:** Bronze Vessel Sink

**Mount:** Free Standing Countertop

**Finishes:** Listed below

**Measurements:** 17-3/4" x 17" x 5"

**Drain Opening:** 1-3/4" ID



## AVAILABLE FINISHES

**Satin Metal:** **5-S**, satin silicon bronze      **6-WB**, satin white bronze

**Patina Finish:** **1-CFS**, satin, gold/black      **2-CCFSS**, semimatte, green/gold, silver/black  
**3-CFM**, matte, green/brown      **4-CMS**, semimatte, brown/black