



RIBBON SERIES ACCESSORIES

Door Pulls, Cabinet Pulls, and Single Pull.

Shown in cast silicon bronze with satin finish (5-S).

Hardware Accessories

Door, Cabinet & Drawer Pulls

SPECIFICATIONS

DOOR PULLS

Model: R DOPL (+finish) *left

Model: R DOPR (+finish) *right

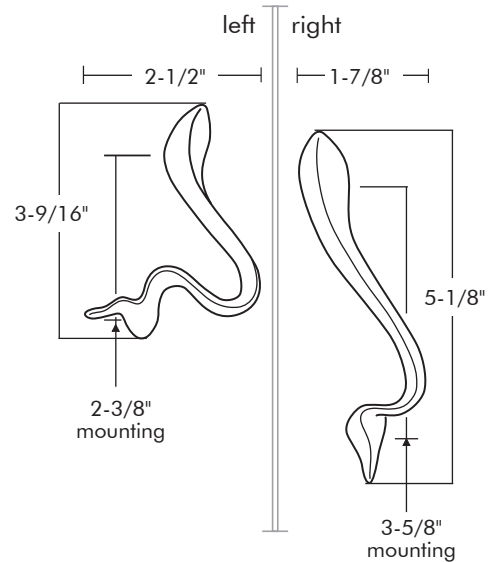
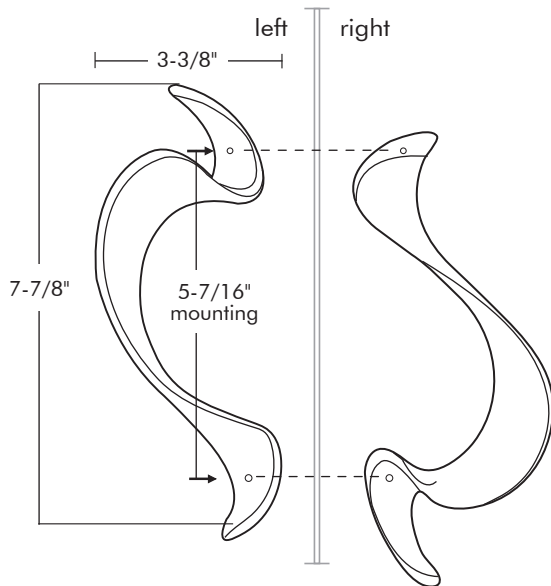
Series: Ribbon

Category: Hardware Accessories

Finishes: Listed below

Projection: 2-5/8"

Note - Back to back mounting available with upcharge.



CABINET PULLS

Model: R CPL (+finish) *left

Model: R CPR (+finish) *right

Series: Ribbon

Category: Hardware Accessories

Finishes: Listed Below

Projection: 1"

SINGLE PULL

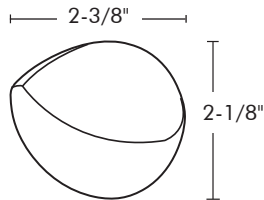
Model: W SP (+finish)

Series: Ribbon

Category: Hardware Accessories

Finishes: Listed below

Projection: 13/16"



AVAILABLE FINISHES

Satin Metal: **5-S**, satin silicon bronze **6-WB**, satin white bronze

Patina Finish: **1-CFS**, satin, gold/black **2-CCFSS**, semimatte, green/gold, silver/black

3-CFM, matte, green/brown **4-CMS**, semimatte, brown/black