



© 2000 Wawirka Inc. All designs and images

BREAKERS VESSEL

Shown in cast silicon bronze
with satin finish (5-S).

Breakers Vessel

SPECIFICATIONS

BREAKERS VESSEL

Model: BKS (+ finish)

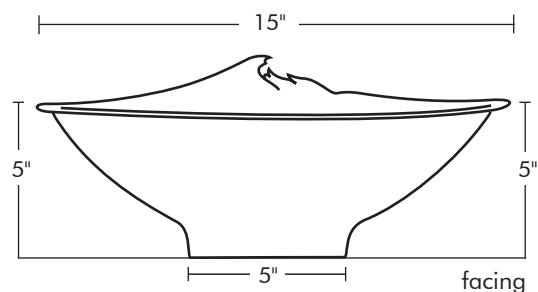
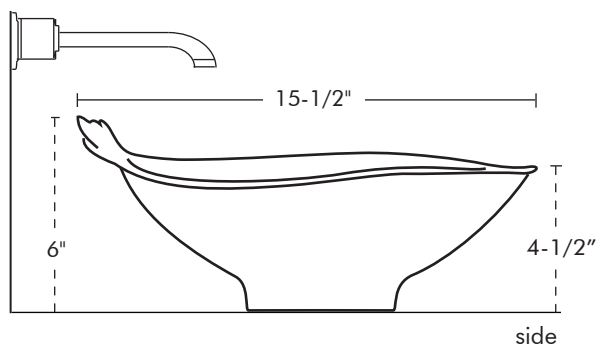
Category: Bronze Vessel Sink

Mount: Free Standing Countertop

Finishes: Listed below

Measurements: 15" x 15-1/2" x 6"

Drain Opening: 1-3/4" ID



AVAILABLE FINISHES

Satin Metal: **5-S**, satin silicon bronze **6-WB**, satin white bronze

Patina Finish: **1-CFS**, satin, gold/black

2-CCFSS, semimatte, green/gold, silver/black

3-CFM, matte, green/brown

4-CMS, semimatte, brown/black