



© 2001 Wawirka Inc. All designs and images

ALTERED OVAL VESSEL

Shown in cast silicon bronze
with patina finish 2-CCFSS.

Altered Oval Vessel

SPECIFICATIONS

ALTERED OVAL VESSEL

Model: AL (+ finish)

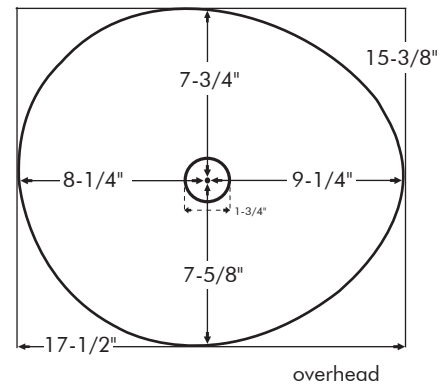
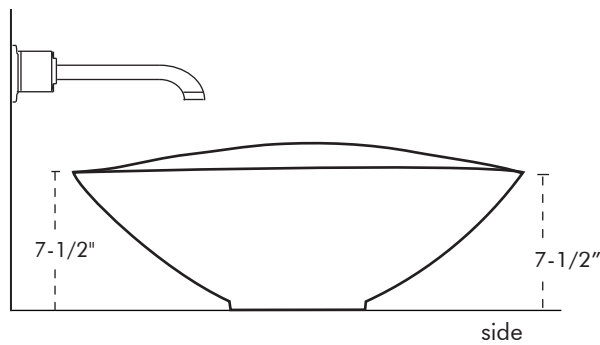
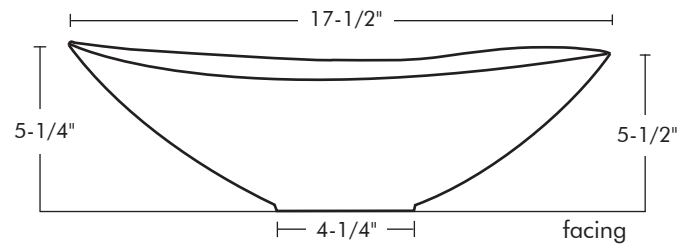
Category: Bronze Vessel Sink

Mount: Free Standing Countertop

Finishes: Listed below

Measurements: 17-1/2" x 15-3/8" x 7-1/2"

Drain Opening: 1-3/4" ID



AVAILABLE FINISHES

Satin Metal: **5-S**, satin silicon bronze **6-WB**, satin white bronze

Patina Finish: **1-CFS**, satin, gold/black **2-CCFSS**, semimatte, green/gold, silver/black
3-CFM, matte, green/brown **4-CMS**, semimatte, brown/black